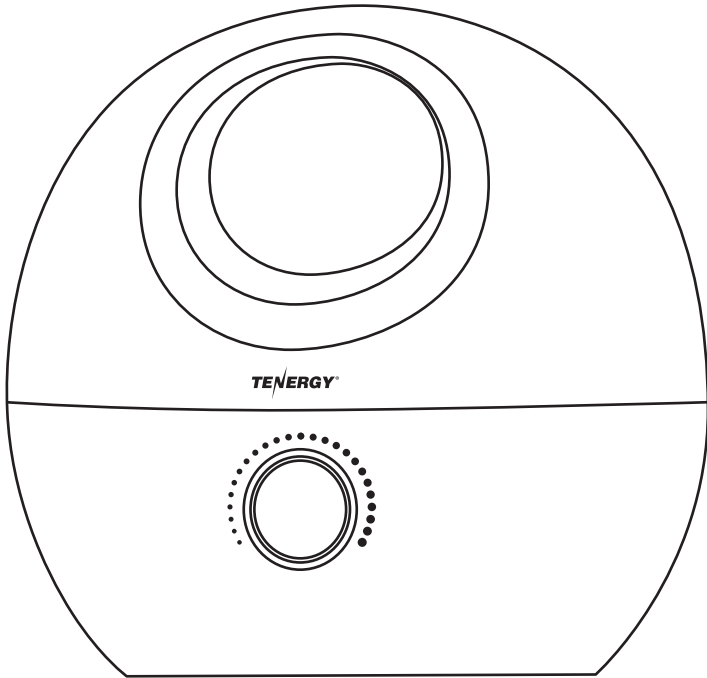




Ultrasonic Cool Mist Humidifier



User Manual

Read this manual thoroughly before using
and save it for future reference

Item Numnber: 58035

IMPORTANT SAFEGUARDS

READ AND SAVE THESE SAFETY INSTRUCTIONS BEFORE USING YOUR HUMIDIFIER.

This appliance is not intended for use by persons (including children) with reduced physical, sensory or mental capabilities or lack of experience and knowledge, unless they have been given supervision or instruction concerning use of the appliance by a person responsible for their safety. Children should always be supervised to ensure that they do not play with the appliance. When using electrical appliances, basic precautions should always be followed to reduce the risk of fire, electric shock, injury to persons, and property loss, including the following:

1. Always place this humidifier on a firm, flat and level surface. This humidifier may not work properly on an uneven surface.
2. Place this humidifier in an area where it is not accessible to children.
3. Do not place the humidifier near any heat sources such as stoves, radiators, and heaters.
4. Do not use the humidifier outdoors.
5. Before using the humidifier, check the power cord for any signs of damage. If the cord is found to be damaged, DO NOT USE and return the humidifier to the manufacturer under the warranty agreement for repair.
6. Do Not operate the humidifier with no water in the humidifier.
7. Do not scratch the transducer plate with hard objects as it may damage the humidifier. Always follow the cleaning and maintenance instructions.
8. Do not put the humidifier at the place where children can touch or play with it.
9. Do not touch the water in the humidifier when the humidifier is connected into power supplies. Always turn off and unplug the power cord before cleaning or maintenance.
10. Do not disassemble or repair the humidifier by yourself as this may cause electric shock or fire hazard or personal injury. Always contact the recommended service center or turn to an experienced technician for help.
11. To disconnect the humidifier, first, turn controls to the OFF position, then grip the plug and pull it from the wall outlet. Never pull by the cord. Do not operate or pull the plug with wet hand.
12. A loose fit between the AC outlet (receptacle) and plug may cause overheating and a distortion of the plug. Contact a qualified electrician to replace loose or worn outlet.
13. Do not use an extension cord to reduce risk of fire or electric shock.
14. The humidifier should always be unplugged and emptied when not in operation or while being serviced or cleaned.
15. Never tilt or attempt to move the humidifier while it is operating or filled with water. Always UNPLUG the humidifier before moving.
16. This humidifier requires regular cleaning and daily maintenance. Refer to the CLEANING instructions provided. Never clean the humidifier in any manner other than as instructed in this manual.
17. Do not direct moisture flow directly at individuals, walls or furniture.

18. When a humidifier is used in a closed room or small rooms, check periodically for proper ventilation, as excessive humidity can cause condensation stains on walls.

19. Turn the humidifier OFF if you notice moisture on the inside of your windows. For proper humidity reading use a hygrometer, which is available in many hardware and department stores, or by ordering one from the manufacturer.

20. Do Not fill water from top of the humidifier, do not fill water from mist outlet chimney, always fill by following the correct instructions in this manual.

21. This product is intended for residential use only.

WARNING

Changes or modifications to this unit not expressly approved by the party responsible for compliance could void the user's authority to operate the equipment. This equipment has been tested and found to comply within the limits for Consumer ISM equipment, pursuant to Part 18 of the FCC rules. These limits are designed to provide reasonable protection against harmful interference in a residential installation. This equipment generates, uses and can radiate radio frequency energy, and if not installed and used in accordance with the instructions, may cause harmful interference with radio communications. However, there is no guarantee that interference will not occur in a particular installation. If this equipment does cause harmful interference to radio or television reception, which can be determined by turning the equipment off and on, the user is encouraged to try to correct the interference by one or more of the following measures:

- Reorient or relocate the receiving antenna.
- Increase the separation between equipment and receiver.
- Connect the equipment into an outlet on a circuit different from that to which the receiver is connected.
- Consult the dealer or an experienced technician for help.

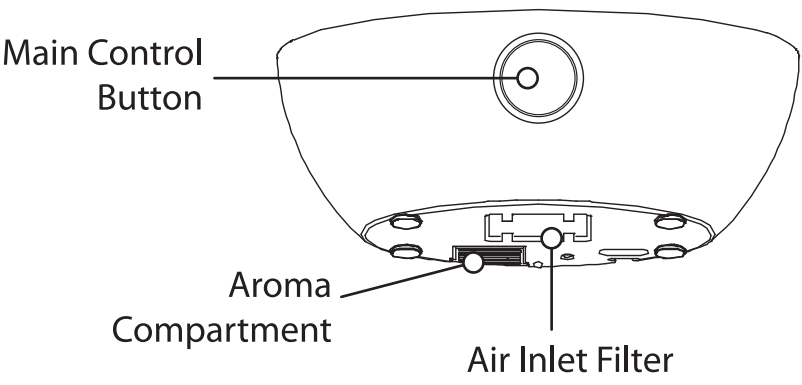
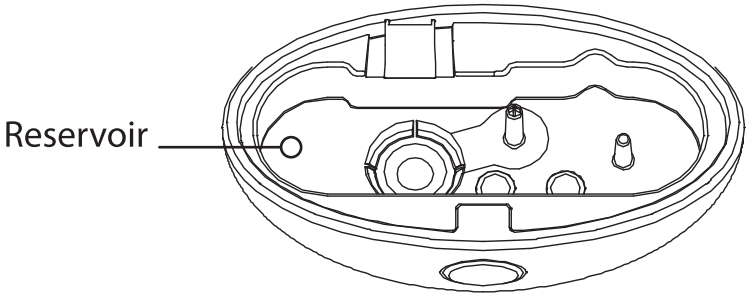
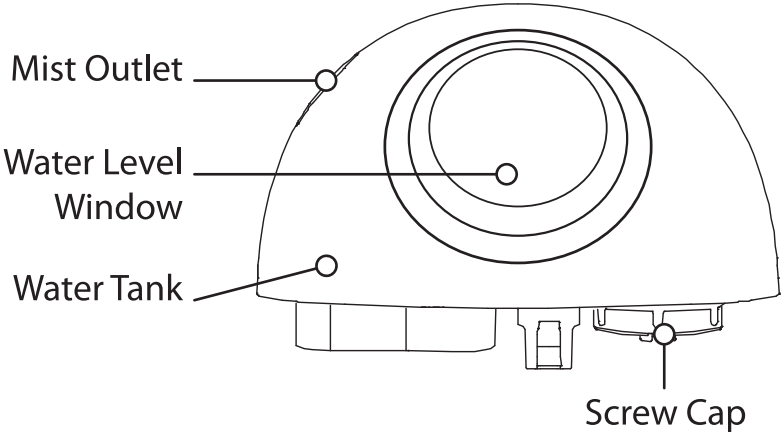
POLARIZED PLUG NOTICE:



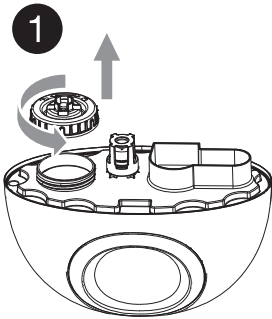
DO NOT ATTEMPT TO MODIFY THIS PLUG OR DEFECT THIS SAFETY FEATURE IN ANY WAY.

THIS APPLIANCE HAS A POLARIZED PLUG (One blade is wider than the other). To reduce the risk of electric shock, this plug is intended to fit in a polarized outlet only one way. If the plug does not fit fully in the outlet, reverse the plug. If it still does not fit, contact a qualified electrician to install the proper outlet.

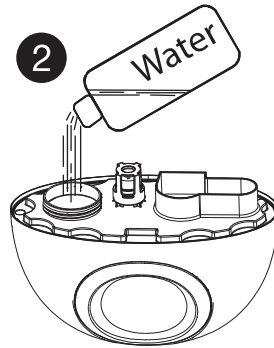
Get To Know Your Humidifier



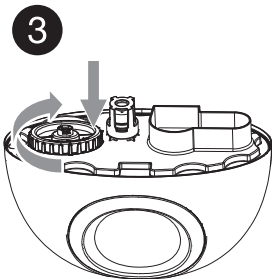
Setting Up The Humidifier



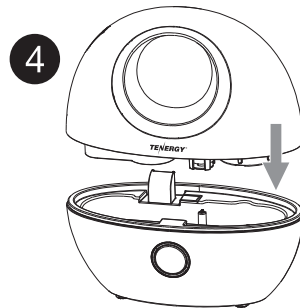
Remove the screw cap.



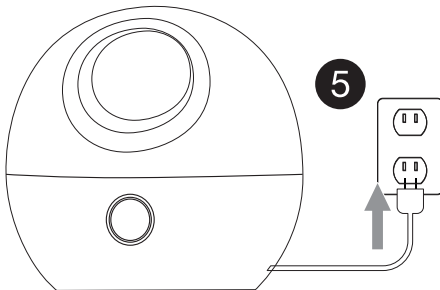
Note: Do not use hot water, use purified water for best results.



Note: Make sure the screw cap is tightened.



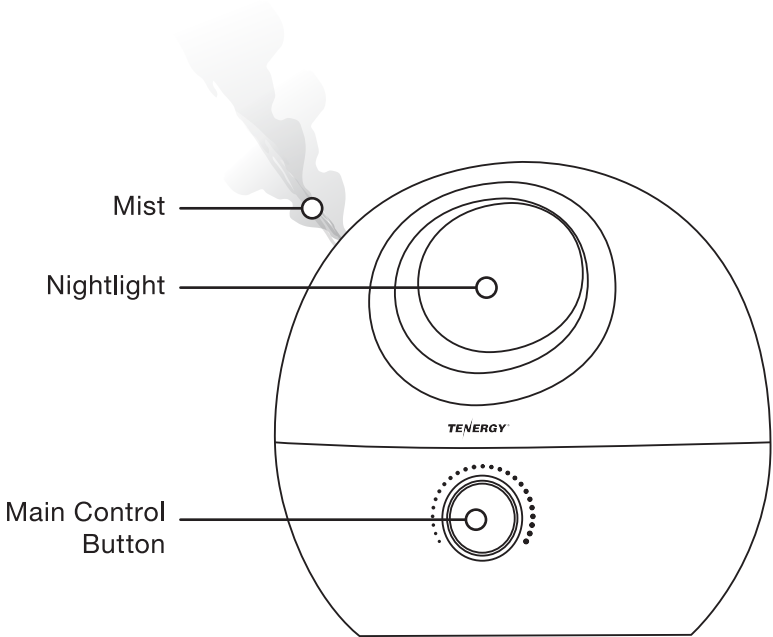
Warning: Use two hands to handle the water tank.



Plug the filled humidifier into a polarized 120V outlet.

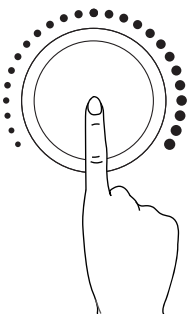
DO NOT plug in humidifier with wet hands to avoid electric shock.

Using The Humidifier



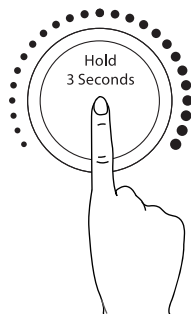
To Start / Stop
The Nightlight:

Push Once



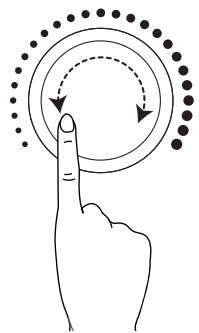
To Start / Stop
The Mist:

Press & Hold



To Adjust
Mist Volume:

Rotate



LED Status Light Color:

Red - Standby

White - Operating

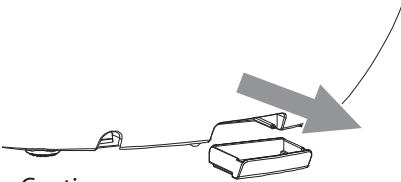
Flashing Red - Low Water

Using Aroma Essential Oil Diffuser

WARNING:

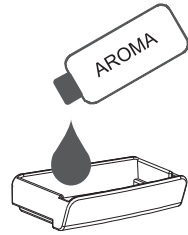
To avoid water spilling, we highly recommend emptying the water before pulling out the aroma compartment.

- 1 Locate and pull out the aroma compartment from the bottom of the humidifier.

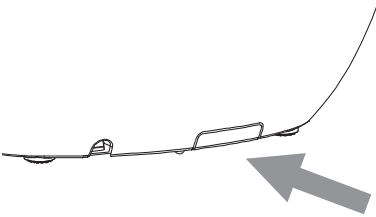


Caution:
The aroma compartment is a tight fit, use care when opening to avoid injury.

- 2 Add aroma oil to the compartment



- 3 Fully insert the aroma compartment back into slot



Note:
To clean the aroma diffuser, use clean water to wash the sponge. Place them out to air dry, and place back in the compartment.

Cleaning The Humidifier

1. Turn off the unit and unplug the power cord.
2. Remove the water tank, empty both water tank and reservoir.
3. Fill reservoir with warm water mixed with vinegar, leave it for 3 to 5 minutes.
4. Empty the reservoir, rinse with water.
5. Gently scrub the reservoir with a soft cloth or cleaning brush to remove any mineral buildups or deposits.

Note:

- DO NOT IMMEDIATELY IMMERSIVE HUMIDIFIER BASE IN WATER.
- We recommend cleaning the humidifier every week.
- Do not use corrosive detergent for cleaning.
- Do not leave water in the tank or reservoir when not in use.

Product Specifications

Model:	TAH01
Water Tank:	4L
Max Output:	220 ml/hour
Adjustable Output:	120 - 220 ml/hour
Water Runtime:	18 - 33 hours
Humidifier Type:	Ultrasonic, Cool Mist
Filter:	Activated Carbon Air Filter
Low Water Protection:	Yes
Aroma Diffuser:	Built-in
Product Size:	12.5 x 7 x 11.5 Inch
Product Weight:	3.7 Lb (Empty) 10.3 Lb (Full Load)
Input:	120V AC, 60Hz
Power Cord:	5 Feet

Troubleshoot

Problem	Causes	Solutions
No mist coming out	No power	Connect to power, check power outlet
	Not powered on	Press the power button to turn on the humidifier
	Not enough water in the water tank	Add water into water tank
Abnormal mist	Water exceeding max level	Get rid of some water
	Stain built up inside water tank or reservoir	Clean the unit as instructed
	Air inlet blocked by dust	Clean air inlet
Water leakage	Screw cap not tightened	Make sure the screw cap is tightened
Bad/strange smell	Dirty aroma diffuser	Clean the aroma diffuser
	Dirty water	Use clean water
Drops of water form around the device	Mist output too high	Lower the mist output level
	Humidity level too high	Shut down the humidifier for a while

FAQs:

Will the humidifier shut off if it runs out of water?

Yes, it will shut itself down without damaging the unit.

Can I use dish soap to clean my humidifier?

Not recommended. It is hard to rinse and could cause damage to the unit.

Can I add aroma oil directly into the water.

No, aroma oil can only be added using the aroma compartment.

I ran my humidifier overnight in a very dry room and the humidity barely changed.

Rugs, wood, and other objects in your room will absorb moisture before you can feel the difference if it is extremely dry. It may take longer time before you can feel the humidity level being increased.

HAVING TROUBLE?

We have the most knowledge of our products, contact us **DIRECTLY** for full technical support!

Phone: (510) 687-0388 ext 281

Email: service@tenergy.com

Scan for more product information



www.TenergyLife.com

Thank You!



Electrical waste should not be disposed with household waste.
Check with your local authority or retailer for recycling advice.