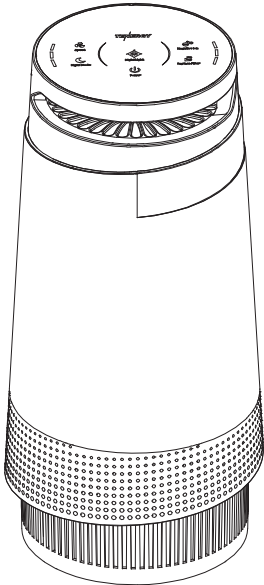




Tenergy Renair Air Purifier



User Manual

Read this manual thoroughly before using
and save for future references

Item Number: 58047

IMPORTANT SAFEGUARDS

When using electrical appliances, basic safety precautions should always be followed to reduce the risk of fire, electric shock, and injury to persons. These precautions include:

1. Read all instructions before using the appliance.
2. To avoid fire or shock hazard, plug the appliance directly into a 120V AC electrical outlet.
3. Remove plastic bag around filter before use.
4. Keep the cord out of heavy traffic areas. To avoid fire hazard, NEVER put the cord under rugs, near air outlets, radiators, stoves, or heaters.
5. To protect against electrical hazards, DO NOT immerse the appliance in water or other liquids. Do not use near water.
6. Close supervision is necessary when any appliance is used by or near children, or disabled persons.
7. Always unplug the air dehumidifier before moving or cleaning the unit, opening the grill, changing the filter and whenever the unit is not in use. To disconnect the unit, be sure to pull the plug and not the cord.
8. NEVER drop or insert any objects into the openings of the unit.
9. DO NOT operate any appliance with a damaged cord or plug. If the motor fan fails to operate or the unit has been dropped or damaged in any manner, return appliance to manufacturer for examination and/or repair.
10. Use the appliance only for intended household use as described in this manual. Any other use not recommended by the manufacturer may cause fire, electric shock, or injury to persons. The use of attachments not recommended or sold by Tenery Corporation may cause hazards.
11. DO NOT use outdoors.
12. NEVER place on a soft surface such as a bed or sofa as this could cause the unit to tip over and block the air inlet or outlet grills.
13. Keep unit away from heated surfaces and open flames.
14. DO NOT attempt to repair or adjust any electrical or mechanical functions on this unit. Doing so will void your warranty. The inside of the unit contains no user serviceable parts. All servicing should be performed by an authorized technician.
15. DO NOT place anything on top of unit.
16. NEVER use detergents, gasoline, glass cleaner, furniture polish, paint thinner or other household solvents to clean any part of the appliance.
17. Always turn the appliance off before unplugging it.
18. The ionizer in this appliance produces less ozone than the UL established limits of 50ppb (parts per billion). However, in high concentrations, ozone can be harmful to birds and small pets. To prevent ozone buildup, we suggest

using the ionizer in well ventilated areas with the fan on.

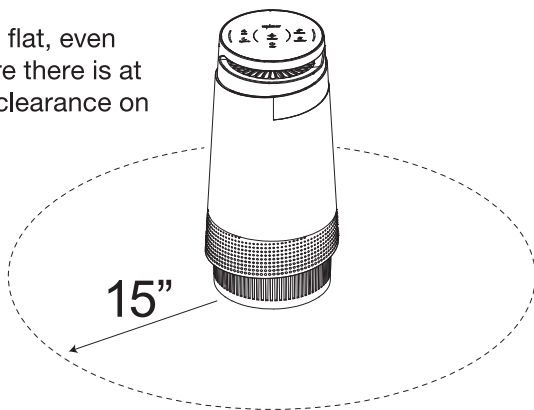
19. This appliance should only be used in room with temperatures between 40 and 110 degree Fahrenheit.

20. **WARNING:** To reduce the risk of fire or electric shock, **DO NOT** use the appliance with any solid-state speed control device.

PLEASE READ AND SAVE THESE IMPORTANT SAFETY INSTRUCTIONS

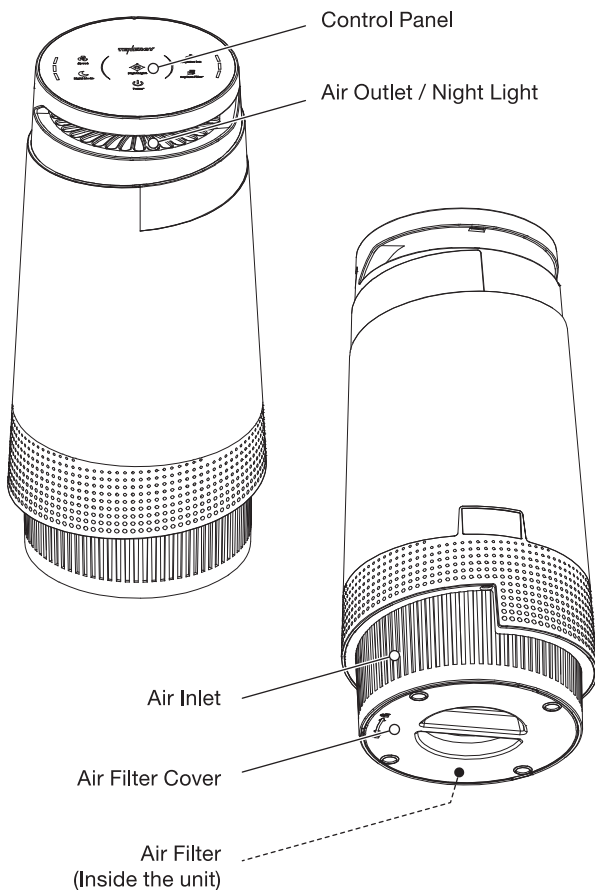
Placement Of Air Purifier

Place the unit on a flat, even floor and make sure there is at least 15 inches of clearance on all side of the unit.



THIS APPLIANCE HAS A POLARIZED PLUG (one blade is wider than the other). To reduce the risk of electric shock, this plug is intended to fit in a polarized outlet only one way. If the plug does not fit fully in the outlet, reverse the plug. If it still does not fit, contact a qualified electrician to install the proper outlet. **DO NOT ATTEMPT TO MODIFY THIS PLUG OR OVERCOME THIS SAFETY FEATURE IN ANY WAY.**

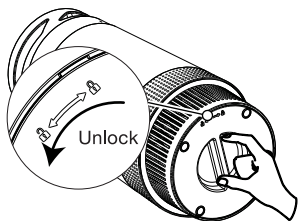
Get To Know Your Air Purifier



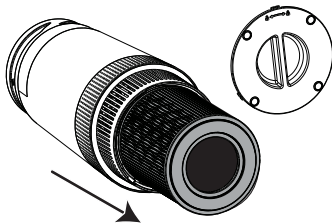
WARNING: The plastic bag around the filter must be removed before use.

Before Using Air Purifier

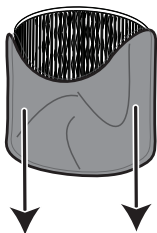
IMPORTANT: The plastic bag around the filter must be removed before usage, use the following steps to remove the bag.



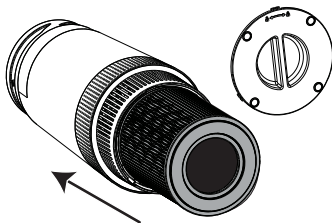
1. Remove the cover to reveal the filter.



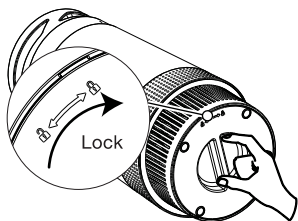
2. Take out the filter.



3. Remove the plastic bag around the filter.

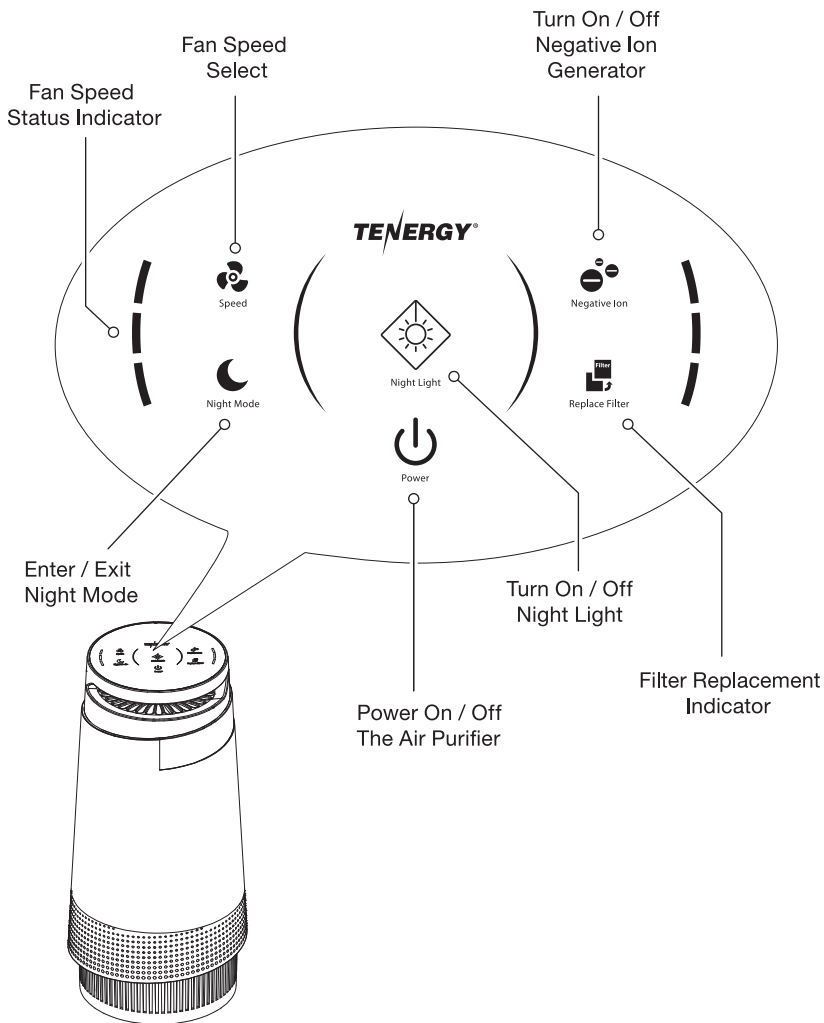


4. Insert the filter back into place



5. Close and lock the cover

Control Panel



Using The Air Purifier

1. Place the unit on a flat and level surface.
2. Make sure the air filter is in place.
3. Plug in the power cord.
4. Press the “Power” button.
5. To turn off the unit, press “Power” button again.

Changing Fan Speed

The default fan speed will be set to medium speed when unit is turned on. You can press the “Speed” button to change fan speed in sequence of: Low > Medium > High > Low.

Increasing the fan speed will results in faster air purifying but also increases the noise level of the unit.

Using The Negative Ion Generator

Turning on the negative ion generator will increase the amount of negative ion in your space. These negative ions will attach to any particles in the air allowing easier removal by the purifier and improve the quality of your air.

Press “Negative Ion” button to turn on this feature.

Using The Night Light

To use the decorative night light, simply press the "Night Light" button to change the light mode in sequence of: "On (Single Color) > Color Changing > Off".

In color changing night light mode, the LED color changes automatically over time and soothes you to sleep.

Note: Night Light can be individually turned on without turning on the air purifier.

Using The Night Mode

To enter / exit night mode, simply press the "Night Mode" button at any time during operation. Pressing the power button or adjust fan speed will automatically exit "Night Mode".

Enable night mode for quiet operation and minimized disruption. When "Night Mode" is activated, the unit will operate in the slowest speed possible and all lights will be turned off.

Purchasing Air Filter Replacement



Scan the QR code to the left with your smartphone to buy a replacement HEPA filter.

Or visit the following link
<https://www.amazon.com/dp/B07F461W1H>

How to Replace and Reset Air Purifier Filter:

1. When “Replace Filter” light turns on, replace the filter
2. Pull filter from location and insert new filter.
3. After replacing filter, press and hold “Replace Filter” button for three (3) seconds.
4. Release the button once the light turns off.



This LED indicator turns on to remind you to replace the filter.



After replacing filter, press and hold button for three (3) seconds. Release the button once the light turns off.

Force Replacing The Filter

If you use the air purifier in a heavily polluted environment, the filters may become very dirty and will stop filtering air properly. You can change the filters even if the filter reset icon does not turn on, make sure to reset the filter lifetime every time after the filter is changed.

To force resetting the filter life time timer:

- 1) Unplug the power cord, replace the filter.
- 2) Plug in the power cord, but do not turn on the unit.
- 3) Press and hold “Replace Filter” button for 3 seconds until red LED turns on.
- 4) Press and hold “Replace Filter” button again for 3 seconds until red LED turns off.
- 5) Reset is finished.

Additional Filter Information

The filter replace reminder is based on a six month timer, so the light will be turned on after every 6 months to remind you to replace it. This recommendation is based on average daily use as well as the average air quality in the U.S.

Note:

- DO NOT wash the filter.
- The filter is not designed to be washable / reusable.
- Washing the filter with water will only shorten its life and reduce the filtering performance.

Cleaning The Device

1. Turn off the unit and unplug the power cord.
2. Use a soft damp cloth to wipe out any dust on unit.

Troubleshoot Guide

Device is not working.

- Check if it's connected to power.
- Check if air filter is properly placed with plastic bag removed.
- Check if it is turned on, press the power button.

Significantly reduced airflow.

- Check if air filter is properly placed with plastic bag removed.
- Press the fan speed button to adjust fan speed.
- Replace the filter.
- Make sure air inlet is not blocked by ensuring there is at least 15" of clearance on all sides of the unit.

Replace Filter light is still on after replacing the air filter.

- Press and hold the button for 3 seconds to reset the timer.

It's not removing the smell from my space.

- The air purifier can only remove odors in the air, if the smell comes from furniture it can't be removed by the air purifier.

Product Specifications

Air Treatment Product Type:	Air Purifier
Filter System:	HEPA Air Filter
HEPA Class:	True HEPA Filter
Airborne Particles Removal:	99.97%
Fan Speed:	3 speeds
Clean Air Delivery Rate (CADR):	82 CFM (140 CMH)
Best for Space:	Up to 210 sq ft
Rated Power:	37W (Max)
Power Cord Length:	75 in / 6.25 ft
Product Dimensions:	18 * 8.6 * 8.6 in
Product Weight:	6.6 lb

HAVING TROUBLE?

We have the most knowledge of our products, contact us **DIRECTLY** for full technical support!

Phone: (510) 687-0388 ext 281

Email: service@tenergy.com

Scan for more product information



www.TenergyLife.com



Electrical waste should not be disposed with household waste. Check with your local authority or retailer for recycling advice.