



# LED STRING LIGHTS

## User Manual

Model: LIGHT-RMKST01

Item No.: 58055



## BATTERY OPERATED LED STRING LIGHTS

16.5Ft Light String, 50 LEDs, with Remote Control

### CONTENTS INCLUDED:

2x Battery Operated LED String Lights  
2x Remote Controllers  
6x Tenergy Alkaline AA Batteries

### SETTING UP

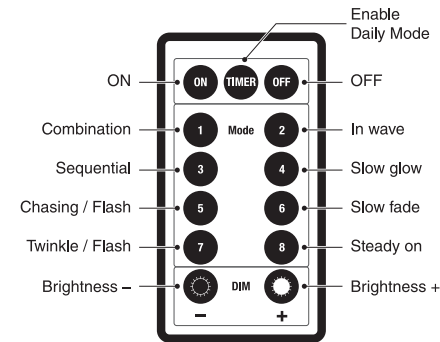
- 1) Remove the plastic tab on the remote controllers.
- 2) Correctly insert 3 new AA batteries (included) into the battery chamber connected to the LED string light. Be sure to match + and - of batteries with the symbols on the chamber.
- 3) Carefully arrange the led string lights as desired.

### CAUTION:

- Keep away from children.
- Do not cut the light string to fit a specific application, cutting the light will only damage the light.
- Do not apply excessive force or repetitively bend the wire at the same spot.
- Do not leave empty or near empty batteries in the battery chamber, over discharged batteries may leak and damage the product.
- Remove and change to a set of new AA batteries when the light appears dim. (Fresh alkaline batteries will give full brightness for 100 hours in always-on mode, or 2 weeks in 6-hour daily mode).

### CONTROL THE LIGHTS:

#### With Remote Controller:



To turn on/off the light: press ON / OFF button  
 To choose a lighting mode: press one of the 8 mode buttons  
 To choose brightness: press the - / + dimming button.

#### With Daily Mode:

What is daily mode:

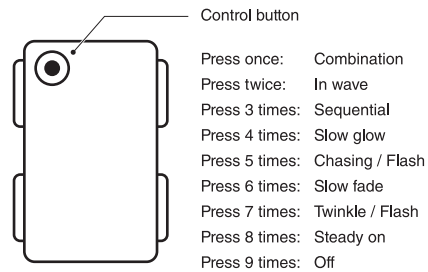
When daily mode is enabled, the LED will be turned on for 6 hours constantly, then rest (turn off) for 18 hours, then turn back on at the same time next day for 6 hours every day. A set of new alkaline batteries will run for approx. 2 weeks in timer mode.

How to enable daily mode:

- 1) Turn on the light by pressing the ON button.
- 2) Choose a mode by pressing one of the mode buttons.
- 3) Adjust brightness by pressing either dim + / - buttons.
- 4) Press the TIMER button once, the LED light will blink once to indicate that daily mode is on.
- 5) The light will be on for 6 hours, then turn off for 18 hours. The light will now turn back on at the same time you started the timer mode.
- 6) To exit timer mode, simply press the ON or OFF button on the remote; the LED will then return back to normal operation mode.

#### With Battery Chamber:

You can set the light to any of the 8 built-in lighting modes by pressing the control button a set number of times. For example pressing the control button once will put it in Combination mode, and 9 times will turn off the LED string light.



Note: Daily mode and dimming cannot be controlled from the battery chamber, please use the remote controller for those functions.

Scan for more product information



Life.Tenergy.com

Thank you!